



AMERICAN ROTARY TOOLS CO. (ARTCO TOOLS)
250 WEST DUARTE ROAD, #E
MONROVIA, CALIFORNIA USA 91016-7464

Tel: (626) 358-8466 Fax: (626) 358-0076
Toll Free US Tel: (800) 624-2212 Fax: (800) 624-2210
Email: info@artcotools.com

Motors & Spindles Micro-grinders

Ultra-Precision Electrically / Pneumatically Driven

NSK America

Precision & Reliability



2012/13
Edition

1

EmaxEVO

ESPERT

ROTUS

ECOMO

IMPULSE

PRESTO II

SHEENUS
1100

SONIC
CUTTER

2

ISpeed3

E2530

E2550

E3000
- One Piece

E3000
- Modular

ø1.18"

ø1.0"
ø0.98"

ø0.897"

E3200
- Modular

E4000

3

MA

ø0.897"

ø1.0"
ø0.98"

ø1.18"

MS

ø0.75"
ø0.73"

ø0.87"
ø0.81"

ø1.0"
ø0.98"

4

HES510

HES810

HTS

HPS

5

AIR LINE KIT

6

PARTS

7

TECHNICAL
DATA

8

APPLICATION
EXAMPLES

INDEX

E2530 SERIES

5,000~30,000 min⁻¹(rpm)
Output 125W

Outside Diameter $\phi 0.897"$
($\phi 22.8$ mm)

- The E2530 Series is capable of up to 30,000 min⁻¹(rpm) and employs a high-speed, ultra-quiet brushless motor.
- High-performance system and state of the art design allows high-speed machining and a variety of safety functions.

E2530 Series



E2550 SERIES

5,000~50,000 min⁻¹(rpm)
Output 125W

Outside Diameter $\phi 0.897"$, $\phi 0.98"$, $\phi 1.0"$
($\phi 22.8$, $\phi 25$, $\phi 25.4$ mm)

- The E2550 Series is capable of up to 50,000 min⁻¹(rpm) and employs a high-speed, ultra-quiet brushless motor.
- High-performance system and state of the art design allows high-speed machining and a variety of safety functions.

E2550 Series



E3000 SERIES

5,000~60,000 min⁻¹(rpm)
Output 350W

Outside Diameter

- One Piece Type : $\phi 0.79"$, $\phi 0.98"$, $\phi 1.18"$
($\phi 20$, $\phi 25$, $\phi 30$ mm)
- Modular Type : $\phi 0.897"$, $\phi 0.98"$, $\phi 1.0"$, $\phi 1.18"$
($\phi 22.8$, $\phi 25$, $\phi 25.4$, $\phi 30$ mm)

E3000 Series



E3200 SERIES

1,000~80,000 min⁻¹(rpm)
Output 350W

Outside Diameter

- Modular Type : $\phi 1.18"$ ($\phi 30$ mm)
- Modular Type (Air Bearing) : $\phi 1.97"$ ($\phi 50$ mm)

E3200 Series



E4000 SERIES

2,000~40,000 min⁻¹(rpm)
Max. Output 1,200W

Outside Diameter $\phi 1.57"$ ($\phi 40$ mm)

- Up to $\phi 0.375"$ Collet Capacity
- Designed for use on CNC Lathes, Robots and Special Application Machines for precision milling, drilling grinding, slitting and deburring applications

E4000 Series

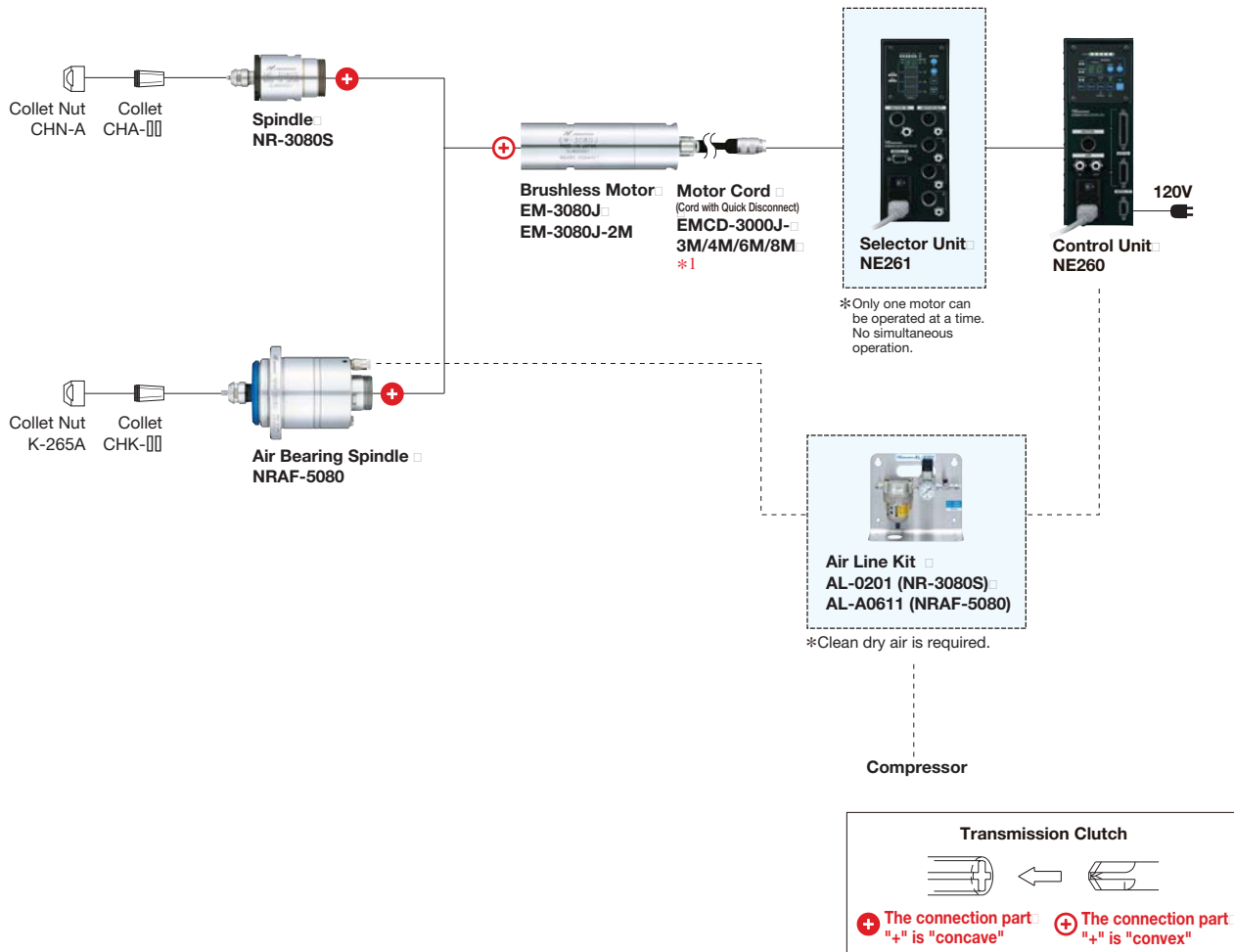


BRUSHLESS MOTOR & SPINDLE "E3200 SERIES" Modular Type

ø1.18", ø1.97" (ø30, ø50 mm)

- 1,000~80,000 min⁻¹(rpm) ● Maximum Output 350W ● Auto or Manual Control Modes.
- Can be installed on a Special-Purpose Machine, NC Lathe, Robot, etc.
- Motor speed is displayed accurately on the front panel.

Modular Type ø1.18", ø1.97"(ø30, ø50 mm) System Chart



*I : Motor Cord is Sold Separately. Please see for 2-p88.

1
EmaxEVO
ESPERT
ROTUS
ECOMO
IMPULSE
PRESTO II
SHEENUS neo
SONIC CUTTER
2
ISpeed3
E2530
E2550
E3000 - One Piece
E3000 - Modular
ø1.18"
ø1.0"
ø0.98"
ø0.897"
E3200 - Modular
E4000
3
MA
ø0.897"
ø1.0"
ø0.98"
ø1.18"
MS
ø0.75"
ø0.79"
ø0.87"
ø0.91"
ø1.0"
ø0.98"
4
HES510
HES810
HTS
HPS
5
AIR LINE KIT
6
PARTS
7
TECHNICAL DATA
8
APPLICATION EXAMPLES
INDEX

Features of E3200 Series



● **Maximum Motor Speed 80,000 min⁻¹(rpm)**

The maximum motor speed 80,000 min⁻¹(rpm) is realized by using high performance brushless motor and ceramic bearings.

● **Maximum Motor Output with 350W Power Supply**

The E Series motor is a brushless DC motor utilizing hall elements, the rotor unit is a rare-earth magnet, motor develops 350W.

● **Motor Endurance**

Brushless motor has no carbon brushes or commutator, minimizing wear and resulting in a long service life. Due to the brushless construction, electrical interference and other noises are minimized.

● **Smooth Rotation**

‘The absence of a commutator’ and ‘the use of a photo coupler sending a feedback signal of 48 pulses per revolution’ result in very smooth rotation with little vibration throughout the speed range.

● **Excellent Durability by air-cooling system**

Air-cooled motor uses a small volume of air (1.0CFM) to prevent heat buildup and allow long continuous operation.

Clean dry air is required to cool the motor and protect the spindle from contaminants. Use a filter, regulator and lubricator. (Proper air pressure 28~71PSI) (Use Air Line Kit AL-0201)

● **Spindle Accuracy**

Spindle Accuracy is within 1 μm (TIR).

● **High Rigidity, Short Body**

E3200 series uses a short body that is hardened and precision ground for excellent durability.

● **Motor Connector Attaches Directly to the Back of the Motor / Spindle.**

Simple screw-lock connector makes changing motors extremely easy. Electric and Air feed incorporated into a single connector.

● **Power Source Auto Detection**

Power Source is 100-240V for international operation. Eliminate the need of setting the voltage or changing fuses.

● **Protection System, External Input / Output Control Signal**

Error function : Motor/Spindle is stopped safety, Error LED is lit. ex.) Overload operation, Air shortage, Motor Spindle can be controlled and monitored by external input-output connector. ex.) Control ; Start/Stop, FWD./REV., Motor Speed Control Monitor ; Motor rotating, Torque Load.

● **Special Safety Version Available**

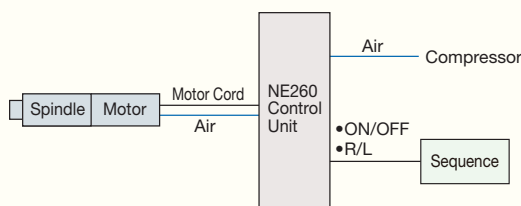
The safety relay utilizes normally open contacts. The emergency stop signal lines must be supplied with power to hold the safety relay contacts closed and allow the control unit to supply power to the motor. Any system errors, trouble with the machining center or the connections between the E3200 Series control unit and the machining center's controller will cause the relay contacts to open and the E3200 Series motor to stop.

● **Centering Mode Switch**

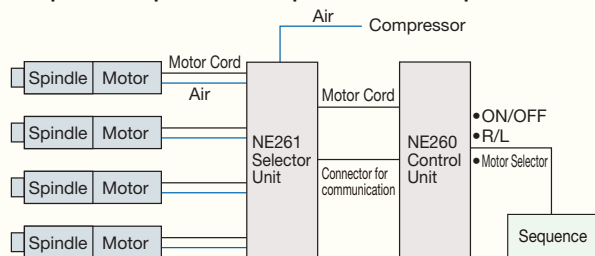
This switch activates the centering mode, which maintains a constant 500 min⁻¹(rpm) spindle speed for centering the tool.

Automatic Control System Chart

● **Single Motor Spindle Operation**



● **Sequential Operation of up to 4 Motor / Spindles**



*When connecting NE260 to NE261, up to 4 motors can be connected to NE261 providing individual control of each motor. (4 motors can not be run simultaneously.)

1
EmaxEVO
ESPERT
ROTUS
ECOMO
IMPULSE
PRESTO II
SHEENUS Neo
SONIC CUTTER
2
iSpeed
E2530
E2550
E3000 - One Piece
E3000 - Modular
ø1.18"
ø1.0"
ø0.98"
ø0.897"
E3200 - Modular
E4000
3
MA
ø0.897"
ø1.0"
ø0.98"
ø1.18"
MS
ø0.75"
ø0.79"
ø0.87"
ø0.91"
ø1.0"
ø0.98"
4
HES510
HES810
HTS
HPS
5
AIR LINE KIT
6
PARTS
7
TECHNICAL DATA
8
APPLICATION EXAMPLES
INDEX

"E3200 SERIES" CONTROL UNIT

- AC100-240V for international operation
- 1,000~80,000 min⁻¹(rpm) ● Maximum Output 350W
- External Input / Output Control Signal (Refer to 7-p12~p17 page of this catalog)

CAT. No. **8443** CONTROL UNIT **NE260**

80,000 min⁻¹(rpm)

* : Load Meter



- : Continuous load area
- : Intermittent load area
- : Overload

External Input-Output Connector A (D-SUB25 Female)

External Input-Output Connector B (D-SUB15 Female)

Motor Connector

Air Output Joint ø6 mm

Air Input Joint ø6 mm

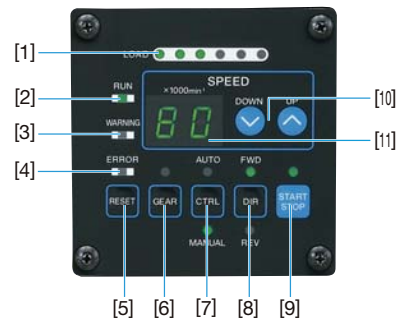
Power Switch

Communicate Connector for NE261

Intake with Power Fuse



- [1] Load Meter*
- [2] Running LED (RUN)
- [3] Warning LED (WARNING)
- [4] Error LED (ERROR)
- [5] Error Reset Switch (RESET)
- [6] Gear Setting Switch (GEAR)
- [7] Control Switch (AUTO/MANUAL)
- [8] Rotating Direction Selector Switch (FWD./REV.)
- [9] Start Switch (START)
- [10] Motor Speed Adjustment Switch (SPEED)
- [11] Display



Specifications

Model : NE260
 Power Source : AC120V
 Motor Speed : 1,000-80,000 min⁻¹(rpm)
 Max. Output Power : 350W
 Power Consumption : 1.8A
 Air Flow Volume : 1.0CFM (36-44PSI)
 Weight : 6 lb. 2.77 oz.
 Dimensions : W3.46" x D5.43" x H9.37"

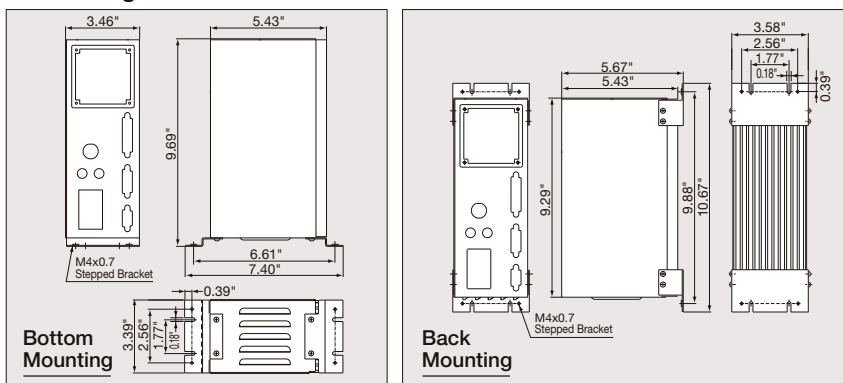
E3200 Control Unit

CAT. No.	Plug Type	Model	Standard Equipment · Accessories	Price
8443	120V	NE260	<ul style="list-style-type: none"> • Power Cord : 6 ft • Air Hose with filter • Reducer • Air Plug (Provided) • Connector Cap (Provided) • Bracket • Power Cord Grip • Screw • Rubber Pad • Fuse (T6.3AL) 250V : 2 pcs. 	2,035.00

*Please refer to Technical Data 7-p12~p17 in detail about External Input-Output Connector.

*AC100-240V for international operation. Please check the power source plug type (2-p87) and order accordingly.

● Mounting Bracket



Control Panel Extension Cord

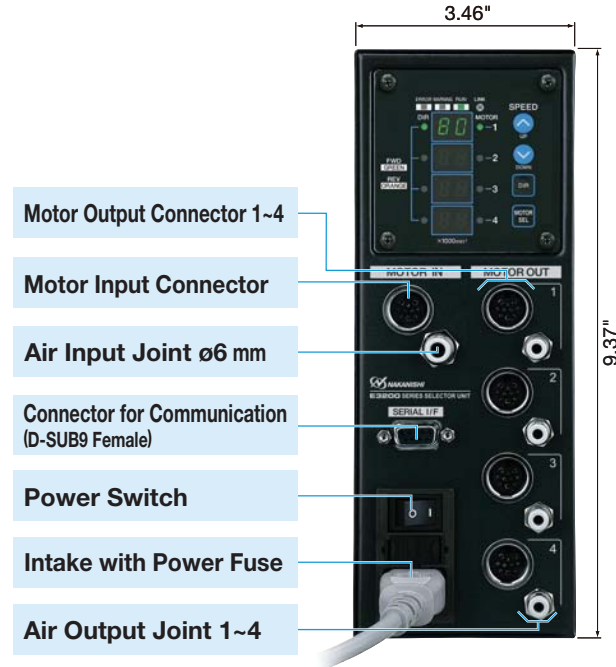
Control Panel Extension Cord

CAT. No.	Model	Fit to	Price
8407	E3000-PEX-4	NE260	181.00

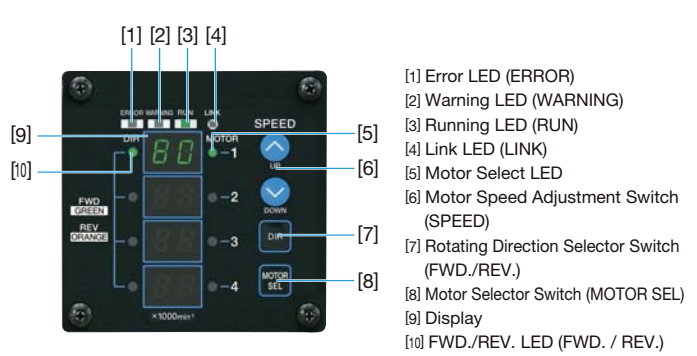
"E3200 SERIES" SELECTOR UNIT

- AC100-240V for international operation
- Up to 4 motors can be connected to NE261 providing individual control of each motor.
(Simultaneous motor operation is not possible)

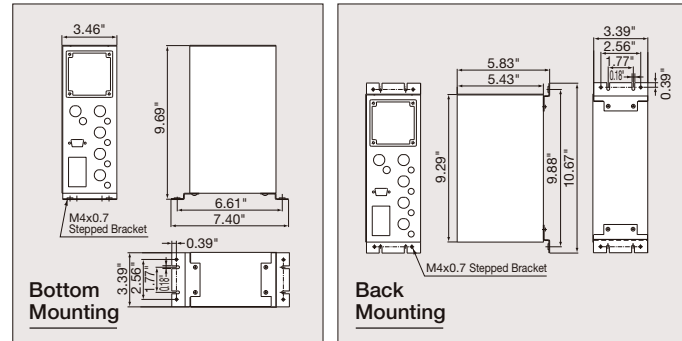
CAT. No. **8467** **SELECTOR UNIT NE261** **80,000 min⁻¹(rpm)**



Specifications
 Model : NE261
 Power Source : AC120V
 Power Consumption : 0.15A
 Air Flow Volume : Max. 4.0CFM
 (51PSI / Using max. 4 motor/spindles)
 Weight : 4 lb. 3.02 oz.
 Dimensions : W3.46" x D5.43" x H9.37"



● Mounting Bracket



E3000 Selector Unit

CAT. No.	Plug Type	Model	Standard Equipment · Accessories	Price
8467	120V	NE261	<ul style="list-style-type: none"> • Power Cord : 6 ft • Connect NE260 to NE261 Cable : 23.62" • Communication Cable : 23.62" • Connector Cap (Provided) • Plug to avoid Air Flow • Bracket • Power Cord Grip • Screw • Rubber Pad • Fuse (T1.6AL) 250V: 2 pcs. 	1,320.00

*Power Source for Global Operation (AC100-240V). Please check the power source plug type and order accordingly.

● Power Source Plug

Plug Type	Main Usable Area	Product
For 100V (A type)	For Japan	
For 120V (B type)	For U.S.A. and Canada	

Plug Type	Main Usable Area	Product
For 200V (C type)	Without Plug	
For 230V (D type)	For Europe	

1
EmaxEVO
ESPRT
ROTUS
ECOMD
IMPULSE
PRESTO II
SHEENUS PRO
SONIC CUTTER
2
iSpeed
E2530
E2550
E3000 - One Piece
E3000 - Modular
ø 1.18"
ø 1.0"
ø 0.98"
ø 0.897"
E3200 - Modular
E4000
3
MA
ø 0.897"
ø 1.0"
ø 0.98"
ø 1.18"
MS
ø 0.75"
ø 0.79"
ø 0.87"
ø 0.91"
ø 1.0"
ø 0.98"
4
HES510
HES810
HTS
HPS
5
AIR LINE KIT
6
PARTS
7
TECHNICAL DATA
8
APPLICATION EXAMPLES
INDEX

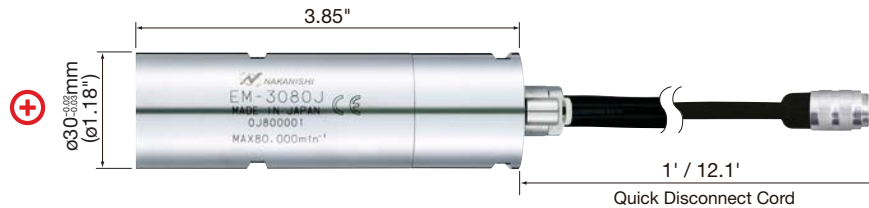
"E3200 SERIES" $\phi 1.18"$ ($\phi 30$ mm) BRUSHLESS MOTOR



Caution : Brushless Motor with 6.5 ft (2 m) long quick disconnect cord can not used with EMCD-3000J-8M.

BRUSHLESS MOTOR EM-3080J

80,000 min⁻¹(rpm)



Note : Motor Cord is sold separately. Please select a cord from the list below.



EMCD-3000-4M / 6M / 8M and EMCD-3000A-4M / 6M / 8M on page 2-p44 can not used for this motor.

- Motor Speed 20,000~80,000 min⁻¹(rpm)
- Max. Output Power 350W
- Housing Stainless steel (SUS416)
- Weight (EM-3080J) 12.70 oz. (w/o Cord)
- Weight (EM-3080J-2M) 18.70 oz. (w/o Cord)

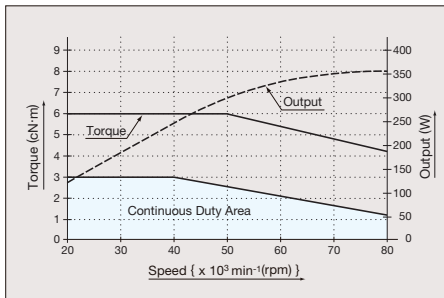
Brushless Motor with 1 ft Cord

CAT. No.	Model	Standard Equipment · Accessories	Price
1781	EM-3080J	• Wrench (22 x 27) : 1 pc.	1,452.00

Brushless Motor with 12.1 ft Cord

CAT. No.	Model	Standard Equipment · Accessories	Price
1788	EM-3080J-2M	• Wrench (22 x 27) : 1 pc.	1,606.00

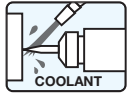
*EMCD-3000J-8M (25.3 ft / 8m long) can not used for this motor.



MOTOR CORD

Product	CAT. No.	Description · Model	Length	Std. Accessories	Fit to	Price
	1778	Motor Cord 3M EMCD-3000J-3M	10 ft (3.0m)	<ul style="list-style-type: none"> • Air Hose • Connector Cap (Provided) 	EM-3080J EM-3080J-2M	310.00
	1768	Motor Cord 4M EMCD-3000J-4M	12.1 ft (3.7m)			370.00
	1767	Motor Cord 6M EMCD-3000J-6M	18.7 ft (5.7m)			490.00
	1766	Motor Cord 8M EMCD-3000J-8M	25.3 ft (7.7m)		EM-3080J	620.00

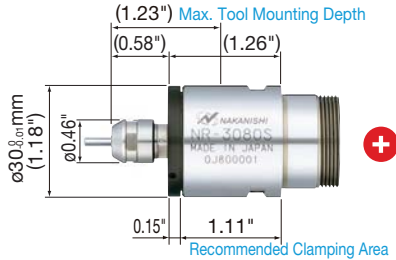
"E3200 SERIES" $\phi 1.18"$, $\phi 1.97"$ ($\phi 30$, $\phi 50$ mm) SPINDLE



E3200 Series can be used in conjunction with water or oil based coolants.

*Do not exceed the allowable motor speed for the spindle.

CAT. No. **7588** SPINDLE NR-3080S (Ceramic Bearing) 80,000 min⁻¹(rpm)



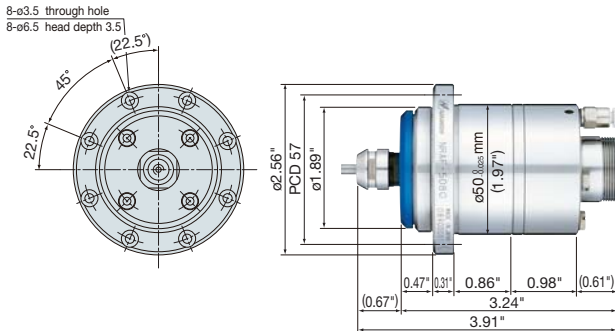
● This spindle can be used for small-diameter milling, drilling, slitting, chamfering, grinding, etc.

- Allowable Motor Speed 80,000 min⁻¹(rpm)
- Spindle Accuracy Within 1 μ m
- Standard Size Collet (CHA-3.175) $\phi 1/8"$
- Weight 6.00 oz.
- < Optional >
- Collet (CHA-□□) $\phi 0.5$ mm~ $\phi 4.0$ mm
(See Page 6-p2 for details)

Spindle

CAT. No.	Model	Standard Equipment · Accessories	Price
7588	NR-3080S	<ul style="list-style-type: none"> • Collet $\phi 1/8"$ (CHA-3.175) • Collet Nut (CHN-A) : 1 pc. • Wrench (12 x 14) : 2 pcs., (22 x 27) : 1 pc. 	1,870.00

CAT. No. **1793** AIR BEARING SPINDLE NRAF-5080 80,000 min⁻¹(rpm)



● This air bearing type spindle incorporates an air pressure bearing that floats the spindle resulting in almost no vibration and extremely high accuracy for extremely high precision machining.
* Air line kit AL-A0611 is recommendable as air supply system.

- Allowable Motor Speed 80,000 min⁻¹(rpm)
- Spindle Accuracy Within 1 μ m
- Standard Size Collet (CHK-3.175) $\phi 1/8"$
- Air Bearing Consumption 1.24CFM (73PSI)
- Weight 1 lb. 12.57 oz.
- Main body mount method Flange mounting method, M3 bolt (8 locations, 45° Angle, PDC57)
- Bearing Type Air static bearing
- Bearing Load Capacity Radial : 20N, Thrust : 40N
- Useable Max. Diameter of Grindstone Less than $\phi 8$ mm (For $\phi 6.0$ mm shank)
- Hose Diameter (Air Inlet · Bearing) $\phi 4.0$ mm
- < Optional >
- Collet (CHK-□□) $\phi 0.5$ mm~ $\phi 6.35$ mm
(See Page 6-p3 for details)

Air Bearing Spindle

CAT. No.	Model	Standard Equipment · Accessories	Price
1793	NRAF-5080	<ul style="list-style-type: none"> • Collet $\phi 1/8"$ (CHK-3.175) • Collet Nut (K-265A) : 1 pc. • Wrench (12 x 14) : 2 pcs., (22 x 27) : 1 pc. • Fitting for piping (KQ2H04-M5-X2) : 1 pc. • Plug (KQ2P-04) : 1 pc. • Inlet Air Hose : $\phi 4$mm x 13ft, 1 pc. • Bar Wrench (K-236) : 1 pc. 	3,762.00

1	EmaxEVO
	ESPRT
	ROTUS
	ECOMO
	IMPULSE
	PRESTO II
	SHEENUS Neo
	SONIC CUTTER
2	iSpeed
	E2530
	E2550
	E3000 - One Piece
	E3000 - Modular
	$\phi 1.18"$
	$\phi 1.0"$
	$\phi 0.98"$
	$\phi 0.897"$
	E3200 - Modular
	E4000
3	MA
	$\phi 0.897"$
	$\phi 1.0"$
	$\phi 0.98"$
	$\phi 1.18"$
	MS
	$\phi 0.75"$
	$\phi 0.79"$
	$\phi 0.87"$
	$\phi 0.91"$
	$\phi 1.0"$
	$\phi 0.98"$
4	HES510
	HES810
	HTS
	HPS
5	AIR LINE KIT
6	PARTS
7	TECHNICAL DATA
8	APPLICATION EXAMPLES
	INDEX

"E3200 SERIES" AIR LINE KIT

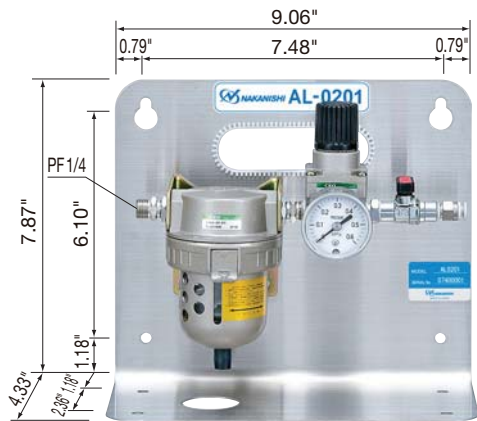
1

EmaxEVO
 ESPERT
 ROTUS
 ECOMO
 IMPULSE
 PRESTO II
 SHEENUS neo
 SONIC CUTTER

2

iSpeed3
 E2530
 E2550
 E3000 - One Piece
 E3000 - Modular
 ø1.18"
 ø1.0"
 ø0.99"
 ø0.897"
E3200 - Modular
 E4000

CAT. No. AL0201 AIR LINE KIT AL-0201



● The AL-0201 is a **Clean air** supply unit for the E3200 Series control unit. Dust in the compressed air is eliminated by the filter in the first stage and regulator provides accurate and stable air to the control unit.

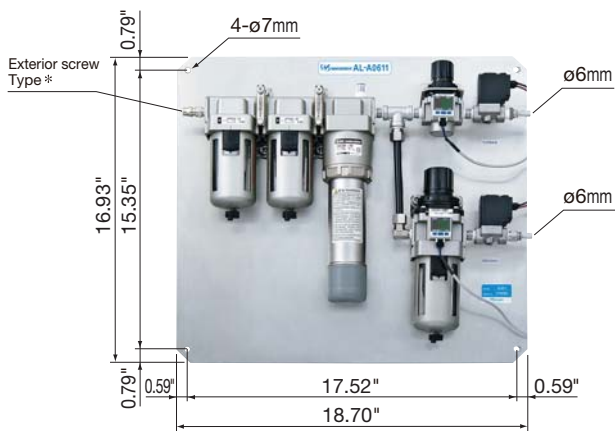
Air Line Kit (For ø6 mm Hose · Filter Mesh 0.3 µm)

CAT. No.	Model	Standard Equipment · Accessories	Price
AL0201	AL-0201	<ul style="list-style-type: none"> • Air Filter • Air Regulator • Air Pressure Gauge • Air ON-OFF Valve • Hose for Piping (K-275) : 6 ft 	306.00

3

MA
 ø0.897"
 ø1.0"
 ø0.99"
 ø1.18"
 MS
 ø0.75"
 ø0.73"
 ø0.87"
 ø0.91"
 ø1.0"
 ø0.99"

CAT. No. 1548 AIR LINE KIT AL-A0611 (For Air Bearing Spindle)



● The AL-A0611 is a high grade air supply unit for the NRAF-5080. Filter Mesh 0.01µm is realized with micro mist filter.

*Exterior screw Type (Model KK13P-02M made by SMC Corporation)

Air Line Kit (For ø6 mm Hose · Filter Mesh 0.01 µm)

CAT. No.	Model	Standard Equipment · Accessories	Price
1548	AL-A0611	<ul style="list-style-type: none"> • Mist Separator • Micro Mist Separator • Membrane Air Dryer • Regulator • Solenoid Valve 	3,253.00

4

HES510
 HES810
 HTS
 HPS

5

AIR LINE KIT

6

PARTS

7

TECHNICAL DATA

8

APPLICATION EXAMPLES

INDEX

AMERICAN ROTARY TOOLS CO. (ARTCO TOOLS)
250 WEST DUARTE ROAD, #E
MONROVIA, CA USA 91016-7464

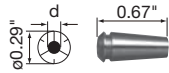
Tel: (626) 358-8466 Fax: (626) 358-0076
Toll Free USA Tel: (800) 624-2212 Fax: (800) 624-2210
Email: info@artcotools.com

< PARTS > COLLET

AMERICAN ROTARY TOOLS CO.

www.artcotools.com

CHA Group



Fit to : K-263
: CHN-A

Fit to
AMS-1200 · AMS-1210 · AMS-1500 · AMS-1501 · AMS-250 · ABS-800
BM-319 · BM-320 · BM-320F · BM-322 · BM-322FL · BM-322FR · BM-325
MS-19 · MS-20 · MS-22 · MSS-19 · MSS-20 · MSS-22 · NR-3080S · NRA-5080 · NR-320
PS20-70/120 · PS20S-70 · PSA23-80/130 · PSA23S-80 · PMS-3020A · BANTAM 250
PLANET 850 · PLANET 1500 · PLANET 2000 · SMS · HTS · EM20-S6000 · EM25-S6000
EMS-3060A · NRR3060-QC · HES810 · HPS500

CAT. No.	Model	Inside Diameter d	Price
91405	CHA-0.5	ø0.5	237.00
91406	CHA-0.6	ø0.6	
91407	CHA-0.7	ø0.7	
RA11805	CHA-0.8	ø0.8	
RA11804	CHA-0.9	ø0.9	
RA11806	CHA-1.0	ø1.0	83.00
RA11807	CHA-1.1	ø1.1	
RA11808	CHA-1.2	ø1.2	106.00
RA11803	CHA-1.3	ø1.3	
RA11815	CHA-1.4	ø1.4	
RA11814	CHA-1.5	ø1.5	83.00
RA11809	CHA-1.6	ø1.6	71.00
91417	CHA-1.7	ø1.7	106.00
RA11810	CHA-1.8	ø1.8	
RA11822	CHA-1.9	ø1.9	
RA11811	CHA-2.0	ø2.0	83.00
RA11831	CHA-2.1	ø2.1	106.00
91422	CHA-2.2	ø2.2	
91423	CHA-2.3	ø2.3	
RA11812	CHA-2.35	ø2.35	71.00
RA11824	CHA-2.4	ø2.4	106.00
RA11821	CHA-2.5	ø2.5	83.00
RA11826	CHA-2.6	ø2.6	106.00
91427	CHA-2.7	ø2.7	
RA11828	CHA-2.8	ø2.8	
RA11829	CHA-2.9	ø2.9	
RA11813	CHA-3.0	ø3.0	
91494	CHA-3.0AA*	ø3.0	123.00
RA11830	CHA-3.1	ø3.1	106.00
RA11818	CHA-3.175	ø1/8"	71.00
91496	CHA-3.175AA*	ø1/8"	123.00
91432	CHA-3.2	ø3.2	106.00
91433	CHA-3.3	ø3.3	
91434	CHA-3.4	ø3.4	
RA11823	CHA-3.5	ø3.5	83.00
91436	CHA-3.6	ø3.6	106.00
91437	CHA-3.7	ø3.7	
91438	CHA-3.8	ø3.8	
91439	CHA-3.9	ø3.9	
RA11819	CHA-4.0	ø4.0	
91495	CHA-4.0AA*	ø4.0	123.00

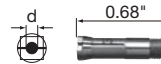
CHB Group



Fit to
NRR-2651 · NRR-3060 · NR40-5100 ATC

CAT. No.	Model	Inside Diameter d	Price
92820	CHB-2.0	ø2.0	89.00
92830	CHB-3.0	ø3.0	
92893	CHB-3.175	ø1/8"	
92840	CHB-4.0	ø4.0	

CHC Group



Fit to
IC-300 · KC-300 · EIC-300 · EKC-300 · IC-E · KC-E

CAT. No.	Model	Inside Diameter d	Price
90416	CHC-1.6	ø1.6	78.00
90492	CHC-2.35	ø2.35	
90430	CHC-3.0	ø3.0	
90493	CHC-3.175	ø1/8"	59.00

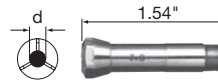
CHF Group



Fit to
NR-3080

CAT. No.	Model	Inside Diameter d	Price
91730	CHF-3.0	ø3.0	83.00
91793	CHF-3.175	ø1/8"	

CHG Group



Fit to
HG-200 · NR-301 · EHG-400

CAT. No.	Model	Inside Diameter d	Price
RA11777	CHG-1.0	ø1.0	83.00
RA11778	CHG-1.5	ø1.5	
RA11766	CHG-1.6	ø1.6	78.00
RA11780	CHG-2.0	ø2.0	83.00
RA11771	CHG-2.35	ø2.35	71.00
RA11781	CHG-2.5	ø2.5	83.00
RA11772	CHG-3.0	ø3.0	71.00
RA11452	CHG-3.175	ø1/8"	
RA11697	CHG-4.0	ø4.0	78.00
RA11698	CHG-4.76	ø4.76	83.00
RA11709	CHG-5.0	ø5.0	71.00
RA11773	CHG-6.0	ø6.0	
RA11714	CHG-6.35	ø1/4"	

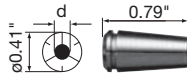
CHH Group



Fit to
IH-300 · IR-310 · EHL-401 · EHR-401 · EHR-500 · VH-E

CAT. No.	Model	Inside Diameter d	Price
RE11729	CHH-1.0	ø1.0	71.00
90615	CHH-1.5	ø1.5	
RE11659	CHH-1.6	ø1.6	
RE11734	CHH-2.0	ø2.0	
RE11625	CHH-2.5	ø2.5	
RE11625	CHH-2.35	ø2.35	59.00
90625	CHH-2.5	ø2.5	71.00
RE11739	CHH-3.0	ø3.0	59.00
RE11630	CHH-3.175	ø1/8"	

CHK Group



Fit to : K-265
: CHN-B

■ Fit to _____
NR-302 · ENR-302

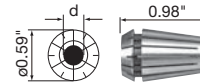
■ Fit to _____
ABS-70P · ABS-400 · AMX-50 · AMX-65 (1/1 Ratio) · AMX-80 (1/1 Ratio) · EM30-S6000 · EMA-3020K
EMS-3041 · EMS-3045 · EMS-3052 · EMS-3056 · EMS-3046-J4 · EMS-3057-J4 · EMS-6040
EMS-6040K · EMS-3060K · EMSF-3060K · EMR-3008K · MS-23 · MSS-25 · MSSH-25 · MST-23
MSST-23 · NR-2351 · NR-2532 · NR-H2532 · NR-2551 · NR-H2551 · NR-303 · NR-303P · NR-311
NR-3060S · NR-403E · NR-453E · NRAF-5080 · NRL-300 · NRL-300E · NRR3060-QC · PMA-3013K
PMR-3005K · PMS-3020K · PS23-80/130 · PS23S-80 · PSA25-90/140 · PSA25S-90 · PSA30-100/160
PSA30S-100 · PSA35-120/180 · PSA35S-120 · RAS-101 · RAS-151E · RAX-271E · RAX-71E
RAS-2511 · RAS-H2511 · FG-01S · PLANET 400 · HES510 · HPS250

*High precision type

CAT. No.	Model	Inside Diameter d	Price
PL42665	CHK-0.5	ø0.5	298.00
91506	CHK-0.6	ø0.6	
PL42667	CHK-0.7	ø0.7	
PL42668	CHK-0.8	ø0.8	
PL42692	CHK-0.9	ø0.9	101.00
PL42691	CHK-1.0	ø1.0	
PL42699	CHK-1.1	ø1.1	125.00
PL42682	CHK-1.2	ø1.2	
PL42693	CHK-1.3	ø1.3	
PL42700	CHK-1.4	ø1.4	
PL42695	CHK-1.5	ø1.5	101.00
PL42696	CHK-1.6	ø1.6	125.00
PL42709	CHK-1.7	ø1.7	
PL42698	CHK-1.8	ø1.8	
91519	CHK-1.9	ø1.9	
PL42672	CHK-2.0	ø2.0	101.00
PL42681	CHK-2.1	ø2.1	125.00
PL42662	CHK-2.2	ø2.2	
91523	CHK-2.3	ø2.3	
PL42690	CHK-2.35	ø2.35	
PL42710	CHK-2.4	ø2.4	125.00
PL42663	CHK-2.5	ø2.5	101.00
PL42712	CHK-2.6	ø2.6	125.00
PL42617	CHK-2.7	ø2.7	
PL42694	CHK-2.8	ø2.8	
PL42689	CHK-2.9	ø2.9	
PL42669	CHK-3.0	ø3.0	89.00
91597	CHK-3.0AA*	ø3.0	130.00
PL42670	CHK-3.1	ø3.1	125.00
PL42685	CHK-3.175	ø1/8"	89.00
91598	CHK-3.175AA*	ø1/8"	130.00
91532	CHK-3.2	ø3.2	125.00
PL42705	CHK-3.3	ø3.3	
PL42701	CHK-3.4	ø3.4	
PL42707	CHK-3.5	ø3.5	
PL42706	CHK-3.6	ø3.6	125.00
91537	CHK-3.7	ø3.7	
PL42702	CHK-3.8	ø3.8	
91539	CHK-3.9	ø3.9	
PL42678	CHK-4.0	ø4.0	101.00
91599	CHK-4.0AA*	ø4.0	130.00
PL42711	CHK-4.1	ø4.1	125.00
91542	CHK-4.2	ø4.2	
PL42671	CHK-4.3	ø4.3	
PL42673	CHK-4.4	ø4.4	
PL42687	CHK-4.5	ø4.5	101.00
91546	CHK-4.6	ø4.6	125.00
PL42674	CHK-4.7	ø4.7	
PL42680	CHK-4.76	ø4.76	125.00
91548	CHK-4.8	ø4.8	125.00
91549	CHK-4.9	ø4.9	101.00
PL42676	CHK-5.0	ø5.0	
PL42677	CHK-5.1	ø5.1	125.00
PL42708	CHK-5.2	ø5.2	
91553	CHK-5.3	ø5.3	
PL42703	CHK-5.4	ø5.4	
PL42704	CHK-5.5	ø5.5	101.00
PL42679	CHK-5.6	ø5.6	125.00
91557	CHK-5.7	ø5.7	
91558	CHK-5.8	ø5.8	

CAT. No.	Model	Inside Diameter d	Price
PL42697	CHK-5.9	ø5.9	125.00
PL42686	CHK-6.0	ø6.0	89.00
91600	CHK-6.0AA*	ø6.0	130.00
PL42675	CHK-6.35	ø1/4"	89.00
91601	CHK-6.35AA*	ø1/4"	130.00

CHL Group



Fit to : CHN-L

■ Fit to _____
AMX-65 (1/3 · 1/9 Ratio) · PSA40-140/200 · PSA40S-140 · PSA45-160/220
PSA45S-160 · PSA50-180/240 · PSA50S-180

CAT. No.	Model	Inside Diameter d	Price
91610	CHL-1.0	ø1.0	136.00
91615	CHL-1.5	ø1.5	
91620	CHL-2.0	ø2.0	
91692	CHL-2.35	ø2.35	
91625	CHL-2.5	ø2.5	101.00
91630	CHL-3.0	ø3.0	
91693	CHL-3.175	ø1/8"	
91635	CHL-3.5	ø3.5	
91640	CHL-4.0	ø4.0	101.00
91645	CHL-4.5	ø4.5	136.00
91650	CHL-5.0	ø5.0	101.00
91655	CHL-5.5	ø5.5	136.00
91660	CHL-6.0	ø6.0	101.00
91696	CHL-6.35	ø1/4"	
91665	CHL-6.5	ø6.5	
91670	CHL-7.0	ø7.0	
91675	CHL-7.5	ø7.5	113.00
91680	CHL-8.0	ø8.0	

■ indicates Hand Grinder use
■ indicates Machine Spindle use

1	EmaxEVO
ESPERT	
ROTUS	
ECOMO	
IMPULSE	
PRESTO II	
SHEENUS neo	
SONIC CUTTER	
2	iSpeed 2
E2530	
E2550	
E3000 - One Piece	
E3000 - Modular	
ø1.18"	
ø1.0"	
ø0.98"	
ø0.897"	
E3200 - Modular	
E4000	
3	MA
ø0.897"	
ø1.0"	
ø0.98"	
ø1.18"	
MS	
ø0.75"	
ø0.73"	
ø0.87"	
ø0.91"	
ø1.0"	
ø0.98"	
4	HES510
HES810	
HTS	
HPS	
5	AIR LINE KIT
6	PARTS
7	TECHNICAL DATA
8	APPLICATION EXAMPLES
INDEX	